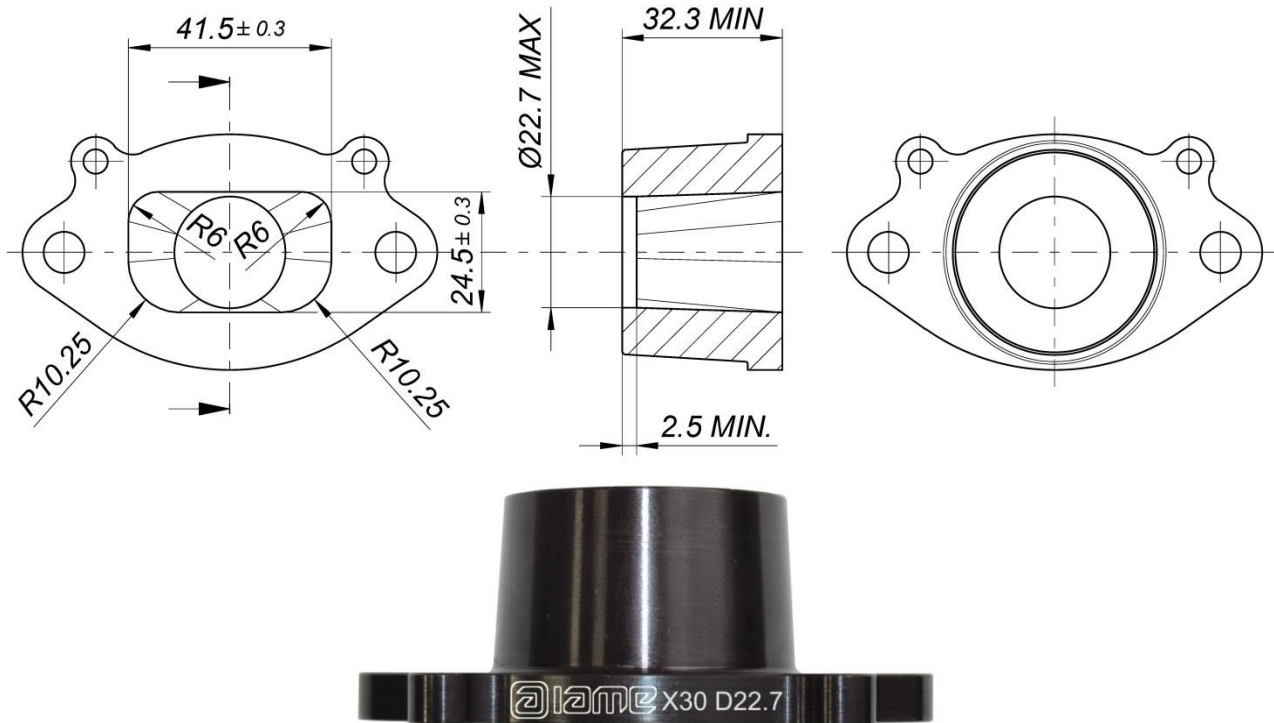


HOMOLOGATION OF KART ENGINE - VARIANT

ALTERNATIVE JUNIOR EXHAUST FITTING



ALTERNATIVE JUNIOR MUFFLER INSTALLATION

